

Competition Regulations for International Youth Fire Brigade Competitions



Table of contents

A) General

1. *Disciplines, size and composition of groups, age limit, commands and command language*
 - 1.1 Disciplines
 - 1.2 Size and composition of the groups
 - 1.3 Age limit
 - 1.4 Orders and Words of Command
2. *Competition management and tasks of the judges*
 - 2.1 Competition management
 - 2.2 Tasks of the judges
3. *Competition field*
 - 3.1 Competition field

B) Description of the disciplines

1. *Fire brigade obstacle exercise*
 - 1.1 Competition track
 - 1.2 Clothing
 - 1.3 Conduct of the event
 - 1.4 Sketches of the obstacles for the fire brigade obstacle exercise
 - 1.5 Sketch of the track for the fire fighting obstacle competition
 - 1.6 Sketches (images) of knots
 - 1.7 Competition equipment
 - 1.8 Scoring

2. *Sports competition*
 - 2.1 400m relay race with obstacles
 - 2.2 Clothing
 - 2.3 Conduct of the event
 - 2.4 Scoring

C) Conduct and Judging of the Competition

1. *Registration and registration for the competition*
 - 1.1 Registration
 - 1.2 Registration for the competition
2. *Evaluators*
 - 2.1 Fire brigade obstacle exercise
 - 2.2 Sports competition

D) Final Result and Youth Competition Badge

1. *Result*
 - 1.1 Disqualification
 - 1.2 Objection
2. *Youth Competition Badge*

E) Final provisions

COMPETITION REGULATIONS

A) GENERAL

1. Disciplines, size and composition of groups, age limit, commands and command language

1.1 Disciplines

- 1.1.1 For International Youth Fire Brigade Competitions, these competition regulations, issued by the International Youth Leader Commission of the CTIF, apply.
- 1.1.2 In the International Youth Fire Brigade Competitions, the groups have to carry out a fire brigade obstacle exercise and a sporting discipline in accordance with the applicable regulations.

1.2 Size and composition of the groups

- 1.2.1 The group size for both disciplines is 1 [Group Commander]:8 [Team members] and 1 reserve member (= 10 people).
- 1.2.2 Reserve member: Each competition group may nominate a tenth competitor. This competitor may only be used if a team member withdraws due to injury after the first competition discipline. The agreement with the competition management must be established before registration with the calculation committee A or C.

The use of a reserve member must be taken into account when calculating the target time for the 400-meter relay race with obstacles and must be reported to the competition committee. The position of the reserve member will be marked on the evaluation sheet with an "R" next to the name of the competitor concerned. The entry in the score sheet is made by an assessor from the relevant calculation committee. The reserve member will re-enter their competition group after completing the competition discipline before the group commander is stood down by the head judge of the lane.

If the competition group does not have a reserve member and a competitor retires due to injury after the first competition discipline, an alternative competitor from his own fire brigade or from another fire brigade may take the position of the eliminated youth firefighter. This exchange of competitor must be reported to the competition committee before registration to Calculation Committee A or C. The provision that a competitor may only run once also applies to that alternative.

Both the competitor who has been eliminated due to injury and this alternative competitor will receive the Fire Brigade Youth Performance Badge if the competition group completes its disciplines within the competition rules.

1.3 Age limit

- 1.3.1 The age limit for competitors is between 10 - 16 years old.
- 1.3.2 For participation in the International Youth Fire Brigade Competition, the respective calendar year in which the young person turns 10 or 16 years old is applicable. Details with indication of dates of birth will be provided in the respective announcement for the International Youth Competitions.

1.4 Orders and Words of Command

- 1.4.1 Orders and commands may be given in the national language and in the usual forms used in each country.
- 1.4.2 The starting signal for an event is a whistle blast.

2. Competition management and tasks of the judges

2.1 Competition Director (Adjudicator)

- 2.1.1 The Competition Director is in charge of the judging teams and is responsible for the smooth running of the competition. Interpreters are assigned to him/her to carry out his/her duties.
- 2.1.2 In the event of a disagreement about the result of the competition, the final decision will be made by the Competition Director. Video recordings, sound recordings and photo recordings as a decision-making aid are not permitted.
- 2.1.3 The judging team is made up of firefighters from all nations who take part in the International Youth Fire Brigade Competitions. The number of judges depends on the number of competing nations. The judges will be appointed by the Competition Committee. Each participating nation is expected to be able to provide 3 evaluators.
- 2.1.4 A team of marshals shall be provided by the host country. This team shall be under the control of the Competition Director and shall be responsible for arrangements on the competition field.

When it is found that there is a technical defect in an apparatus, the Competition Director, on the advice of the judges, may decide the event should be performed again. This provision also applies to the sports competition. The Competition Director, on the advice of the judges, may decide to replace any equipment

2.2 *Tasks of the judges and scoring committee*

- 2.2.1 The scoring committee has its place on the competition grounds. They will check the competition groups before they start the disciplines, hand them the envelope with the competition documents and ensure the smooth running of the competition. After receipt of the score sheets, they calculate the result and issues the certificates.
- 2.2.2 The judges of the fire brigade obstacle exercise judge the obstacle exercise according to these regulations and the head judge enters the result on the score sheet. The judges of Section III also judge Section IV.
- 2.2.3 The judges for the sports competition shall score the relay race according to the rules and the head judge enters the results into the score sheets.
- 2.2.4 The judges shall not judge a team of their own nationality.

3. **Competition field**

3.1 *The competition field*

The competition tracks for the fire fighting obstacle competition and for the sports competition must be set up on the day prior to the practice run in order to enable the judges as well as the Competition Director to make any changes or additions that may be required to the basic standards or any additions.

If this is the case, the Competition Director as well as the judges shall meet with and notify the group commanders and their instructors of any changes before the beginning of the training.

- 3.1.1 The number of lanes for the fire brigade obstacle exercise will be determined by the competition committee according to the number of participating groups. The length of the track for the fire brigade obstacle exercise is 75.0 m. The assembly point in front of the starting line must be 5.0 m wide and at least 3.0 m deep.
- 3.1.2 The number of lanes for the sporting discipline will be determined by the competition committee according to the number of participating groups. The length of the running track is 400.0 m.

B) DESCRIPTION OF THE DISCIPLINES

1. Fire brigade obstacle exercise

1.1 Competition track

1.1.1 Track section I:

1. From the start line to the 60m mark:
In this section, 4 obstacles shall be situated in the centre of the track respectively at right angles to the direction of the race (water jump and hurdle), and parallel in the direction of the race (crawling tunnel and balance beam)
2. Water jump:
1.6 m long and 2.0 m wide (at the 7.1 – 8.7 m mark)
3. Hurdle:
0.7 m high and 2.0 m wide (at the 23 m mark)
4. Crawling tunnel:
6.0 m long, 0.6 m wide and 0.8 m high, upper part hanging roof (at the 35 – 41m mark)
5. Balance beam:
2.0 m long, 0.35 m above the ground (top edge), 0.2 m wide (start of the running board 52.0 m and end 54.0 m).

On the 58 m mark, on the right-hand edge of the competition track, there is a box for the storage of the hose straps with the minimum dimensions of 60 cm x 40 cm x 30 cm (length x width x height).

In the middle of the starting line there is a fixed coupling (the center of the C-coupling is 25 cm to 30 cm above the ground). To the left of it are 4 double-rolled C hoses with hose straps. Hoses will be placed in front of the start line with the couplings facing forwards. The C hoses may not be more than one hose width apart from each other and from the fixed coupling.

6. At the 59.0 m mark, a red slat (minimum width 60 cm) will be fixed in the lane. This indicates the minimum distance over which the hose is to be extended.

1.1.2 Track section II: 60 – 65 m mark



Two stirrup pumps each containing 10 litres of water shall be placed at the 60m mark 1m in from the left and right edges of the competition lane. The D-hose connected to each stirrup pump is 3m long and is provided with a branch fitted with a nozzle of 4mm diameter maximum. The hose is double-rolled and is to be stowed in the hose bracket (parallel with the hose bracket) on the pump, the branch being placed on the lid of the stirrup pump with the nozzle facing forward (toward the target). The D-hose must be stowed parallel and not at right angles in the holder of the stirrup pump.

Each target wall with a 10 cm diameter target hole is set up at the 65 m mark. In front of each one is a red slat mounted 2 m in front of the 65 m mark.

A measuring container (capacity approx. 6 litres) is mounted on the back of the target wall. An acoustic signal (horn) and an optical signal (rotating beacon) are simultaneously triggered by means of a float valve as soon as the container is filled with 5 litres. A water container with a capacity of 10 litres is set up next to the stirrup pump on the right and left edge of the track.

1.1.3 Track section III: 65 – 70 m mark

1 frame with 8 images of equipment and fittings, which are rotatable and have photographic images on both sides, is set up at the 70 m mark, starting from the left edge of the track.

The illustrations show:

- 1 Dividing breeching
- 1 C size branch
- 1 Double-rolled C hose with hose strap
- 1 Collecting breeching
- 1 Hose becket
- 1 Hose strap
- 1 Coupling wrench
- 1 Suction basket

These devices or fittings are placed on the left side of the track in front of the equipment rack on the left edge of the track (on a wooden board length 2.0 m x width 0.5 m x height approx. 0.03 m). The items of equipment corresponding to the photographs are placed in the spaces numbered 2, 3, 4 and 5.

The equipment storage board for the equipment and fittings is located on the left edge of the track between the 67 m and 69 m mark.

To the right of the lane is 1 knot frame with 4 illustrations showing a

- Clove hitch (De: Mastwurf; It: Nodo parlato; Fr: Noeud de cabestan)
- Branch and hose knot (Hose aloft knot)
- Timber hitch (De: Zimmermannsstich; Fr: Noeud de bois)
- Reef knot (De: Kreuzknoten; It: Nodo piano; Fr: Noeud plat) and are interchangeable.

There are four lines hanging from the knot frame, three of which must be spiral braided lines of 2 m length with a diameter of 8 mm and a standard line with a bag (lifeline with a diameter of at least 12 mm), which is used to tie the hose aloft knot to the branch and hose. Under position number 7, a C hose is double-rolled without a hose strap with a lockable C size branch (coupled to one end of the hose). The four work stations are marked with numbers 6, 7, 8 and 9. The diagrams must be interchangeable. The knots are to be made as shown in the picture. The height of the knot frame is 1.0 m, width 2.0 m, sited at the 70 m mark from the right edge of the track.

1.1.4 Track section IV: 70 – 75 m mark

Assembly point for the teams at the end of the competition.

1.2 Clothing

- 1.2.1 The group will compete in the country's usual work clothing. Protective gloves and firefighter belts are permitted, provided they are worn by the entire group.
- 1.2.2 The footwear is not specified, but all team members should, as far as possible, wear shoes of the same colour. Spikes or cleats are not permitted.
- 1.2.3 The group competes with their normal safety helmet.

1.3 Conduct of the event

- 1.3.1 The group of 9 young people starts in front of the starting line in 2 ranks for registration. The participants of a competition group wear breast and back cloths (numbered bibs), which are marked with numbers from 1 – 9. The bib number 1 is white, it is worn by the group commander. Bibs 2 – 5 are red and 6 – 9 are yellow. The reserve member wears a plain white bib. The participants of the group wear the numbers assigned to them by the group commander.

After the team is presented by the group commander with the words "Team assembled for the competition", the head judge shall give the command "Start". The group commander shall then instruct the team with the words "right, right", at which the team will face the start line in two columns in the basic position; i.e. upper body straight and with parallel foot positioning.

The group commander can freely choose a location to the left of the coupling. The feet are open a maximum of shoulder width.

The group commander gives the order "To attack", after which the starting whistle is blown. After the start command, the group starts forward. From the moment the whistle blows, the judges' clocks are running. In the case of electronic timekeeping, the timekeeping can be triggered by a photoelectric beam when passing through. A lane marking must be clearly marked for this purpose 0.5 m in front of the starting line.

- 1.3.2 After the signal to start has been given, the group commander is the first to go over the obstacles of the first section of track to the 65 m mark, where he/she takes up the position between the two target walls (length of the feet with one line each). This area is marked with a front and back line. From this spot, he/she observes how the first squad with the stirrup pumps direct the water through the hole in the target wall into the collection vessel mounted behind it.

The competitors with numbers 2 – 5 make their way properly over or through the obstacles of the first section of the track to the stirrup pumps provided in the second section of the track.

1.3.3 The competitors with numbers 6 – 9 lay a hose line above or below or through the obstacles of the first section of the track. Number 6 enters the competition track and grabs one of the 4 C hoses, opens the hose strap and couples one end of the open C hose to the permanently mounted C coupling at the starting line.

Number 6 must enter the competition track with both feet before carrying out his/her task (opening the hose strap and coupling the C hose to the fixed coupling).

Number 7 grabs a second double-rolled C hose and the end of the open C hose (from Number 6) and pulls it out over the water jump in the direction of the 60 m mark. The course of the hose is not preset.

It is important to ensure that the obstacle (the water jump) is properly jumped. When this C hose (from Number 6) is fully extended, Number 7 opens the hose strap on his/her C hose and couples one end with the end of the extended C hose.

Number 8 also grabs a C hose and duly crosses the water jump to the open C hose of Number 7, grabs one end of the open C hose and moves towards the 60 m mark.

At the 23 m mark, he/she pulls the hose under the hurdle. He/she crosses the hurdle with the double-rolled C hose. The hose must not be thrown over.

Once Number 8 has extended the C hose (from Number 7), he/she opens the hose strap on the C hose he/she has taken and couples one end to the extended hose.

Number 9 also grabs a C hose and makes his/her way over the obstacles to the open hose of Number 8.

There, he/she grabs the end of the open C hose (from Number 8) and pulls the hose through the crawling tunnel in the direction of the 60 m mark. Once he/she has extended the C hose, he/she opens the the hose strap of the one taken with him/her and couples one end to the end of the extended hose.

Meanwhile, after attaching the hose to the fixed coupling Number 6 must go through the obstacles with the hose strap until he/she reaches the hose unrolled by Number 9. He/she shall then take the end of the unrolled hose (from Number 9) and, whilst crossing the balance beam, place it to the right of and next to the balancing beam, it being understood that he/she must cross this correctly as far as the 60m mark. Should the hose not be pulled over the 59m mark this will be deemed as "incorrect laying of the hose" and 10 penalty points will be awarded.

The hose strap is not to be opened before the hose is completely run out (Incorrect working).

It is not a mistake if two young people couple the C hoses together, in the following order: 7/8, 8/9 and 9/6. There is no penalty if the hoses are run out (unrolled) before they are connected.

All four competitors must correctly cross the 4 obstacles and place the straps in the box placed near the 58m mark.

It is not a penalty if Number 6 pulls the hose and puts the hose strap in the box, or puts the strap in the box then pulls the hose straight.

- 1.3.4 Competitors Number 2 and 3 shall, after they have gone through the first section, go to the stirrup pump placed to the left of the competition track.



Number 2 shall now take the branch and go forward to the red marker but shall not touch it from above with any part of the body. It is allowable to touch the marker at the front with the foot.

Number 3 shall take the handle of the stirrup pump and operate it. Number 2 will take the branch shall then try as quickly as possible to direct 5 litres of water through the hole in the target wall. Acoustic and optical signals shall indicate when the task has been completed.

If it is not possible to fulfil the task with the 10 litres of water held in the stirrup pump Number 3 must refill the stirrup pump with the water reserves placed nearby. The Number 3 may not give the branch and hose to Number 2.

The same procedure as the young people with numbers 2 and 3 must also be carried out by the young people with numbers 4 (2) and 5 (3), but with the stirrup pump placed on the right side of the track.

- 1.3.5 Judge 4 overseeing the equipment recognition test can set 4 out of the 8 diagrams on the equipment frame. Once done this must be indicated at the beginning of each heat by a hand signal to the head judge.

After they have completed their pumping tasks on track section 2. Numbers 2 to 5 must, after having received their respective acoustic and optical signal, run between the target walls towards the equipment frame and place next to their allocated number the items corresponding to the indicated diagram.

Track Section IV:

The group commander shall only go forward from his/her position between the target walls with Numbers 2 and 3 once they have completed their pumping. He/she will assemble with the others in Section 4.

The items of equipment are placed in front of the frame at the left edge of the lane on a wooden board (2.0m x 0.5m x 0.03m). In relation to the hose strap, the end of the textile strap can be wound once through the metal buckle. Each piece of equipment is to be placed in the appropriate space and may not overlap into an adjoining space (this is regarded as "incorrect working").

However, the textile part of the hose strap as well as that of the hose becket may overlap the forward or rear part of the equipment frame without penalty. This also applies to the hose strap on the double rolled C-size hose. In the case of the hose strap, the end of the textile part can be passed through the flap (metal part) once. The equipment must be placed in the respective indicated space and must not protrude to the side or rear (considered "incorrect working"); other than those items mentioned above. The C hose must be laid on the shelf of the frame, not stood up.

Afterwards, the 4 young people cross the 70 m mark and line up

- 1.3.6 At each heat judge 5 at the knot frame can modify the 3 interchangeable diagrams. Number 7 will only tie the hose and branch knot. Before each heat, the judge shall indicate by hand signal that no further modification will be made (after the hand signal no further changes may be made to either the equipment frame or to the frame for knots).
- 1.3.7 When the hose line is fully laid out, Numbers 6 to 9 must go to the frame for knots near the 70m mark. The competitors must run in the centre of the lane between the stirrup pumps and target walls to the knot frame. On that frame above their number, there is a picture of the knot, they must make on the frame. The knots are to be made as shown in diagram 1.6 in the competition rules. The clove hitch, the reef knot and the timber hitch are to be made on the knot beam. The branch and hose knot (hose aloft knot) does not have to be hung over the beam but may be placed on the ground.

It makes no difference whether the line bag is at the branch or hose end of the line. The hose and branch knots are to be made only by team member Number 7.

Once they have carried out this activity, the competitors cross the 70 m mark and line up in track section IV.

Note: In the case of the equipment frame, the double-rolled C hose is secured with a hose strap, the double-rolled C hose at the knot frame is not secured. All knots are to be made as shown in the pictures.

- 1.3.8 When all the tasks are completed, the whole team including the group commander shall go to the finish point in section IV. Once the team is assembled in two ranks (facing the start line), the group commander raises his/her right hand to signal to the head judge "Competition concluded". If the 2 time keepers consider that the team has completed its tasks and is fully assembled, both of them shall stop the timing.

Where electronic timing is used, the group commander must activate the push-button to stop the clock and raise his/her hand.

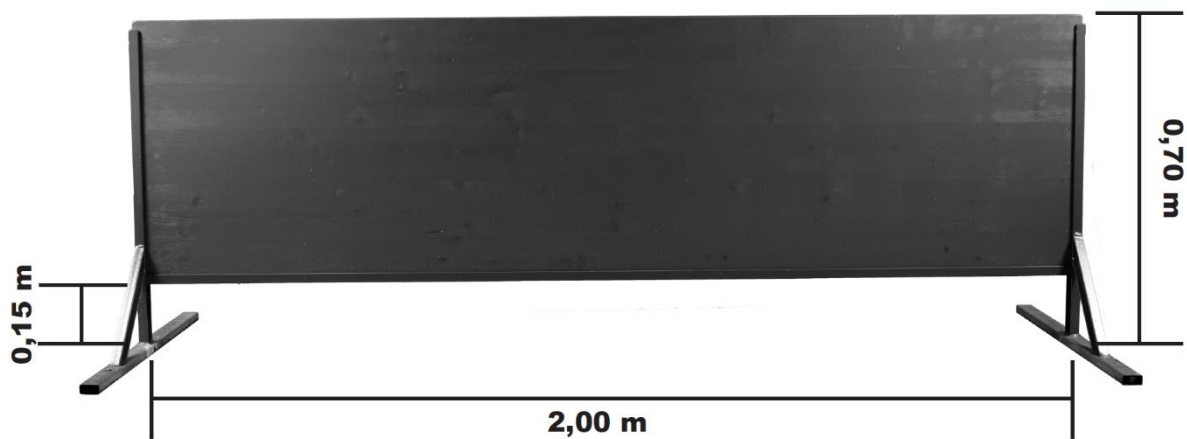
- 1.3.9 The group commander's task is to supervise the competition, but he/she is not authorised to give directions while the competition is in progress; it is forbidden to speak during the competition. After the competition, when the group is formed up in 2 ranks the group commander shall be stood down by the head judge.

1.4 Sketches of the obstacles for the fire brigade obstacle exercise

The water jump (2.0 m wide and 1.6 m long)



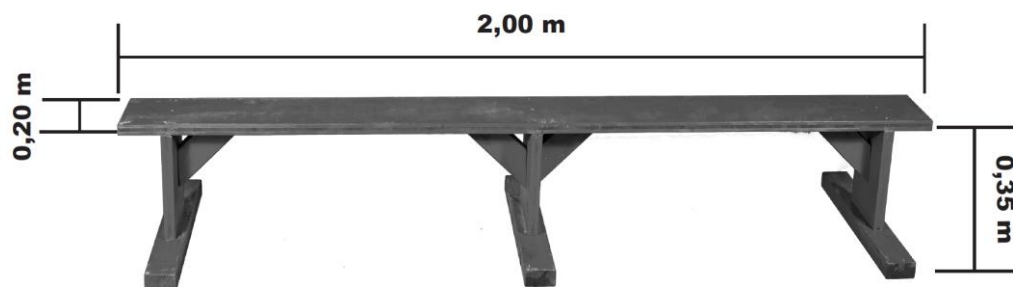
The hurdle (dimensions in meters)



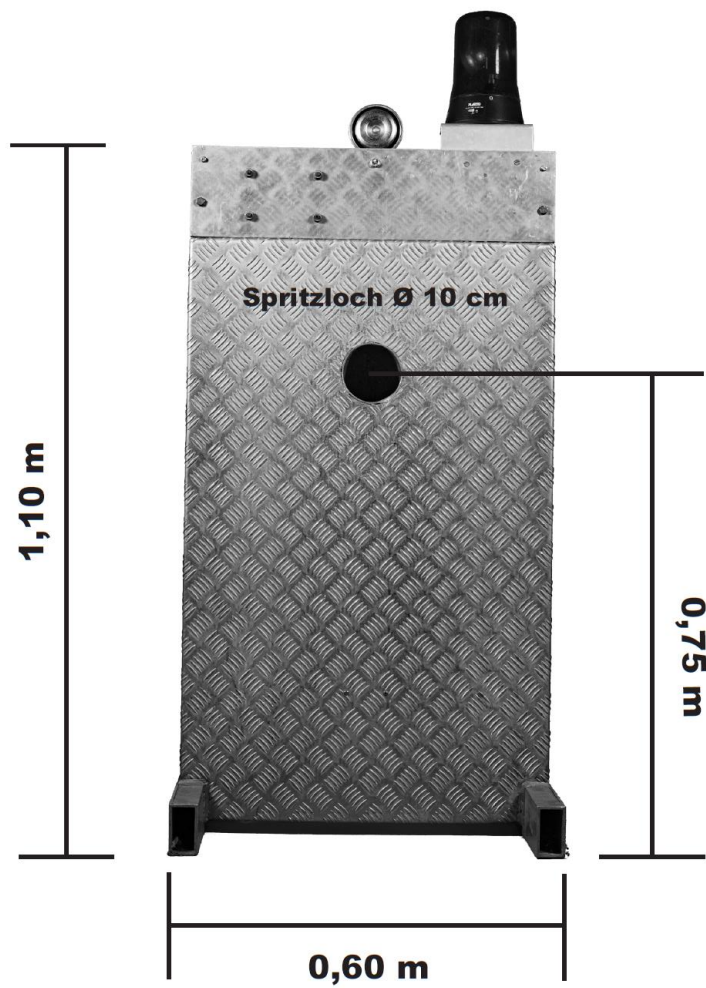
The crawling tunnel (6.0 m long, 0.6 m wide and 0.8 m high)



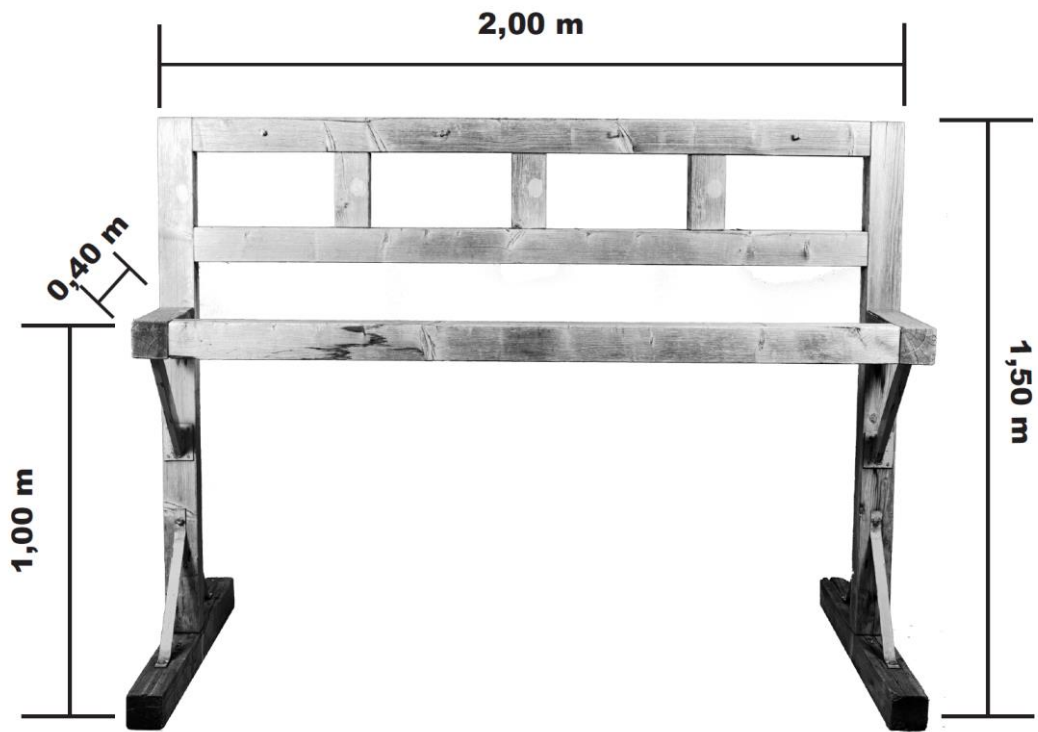
The balance beam (dimensions in meters)



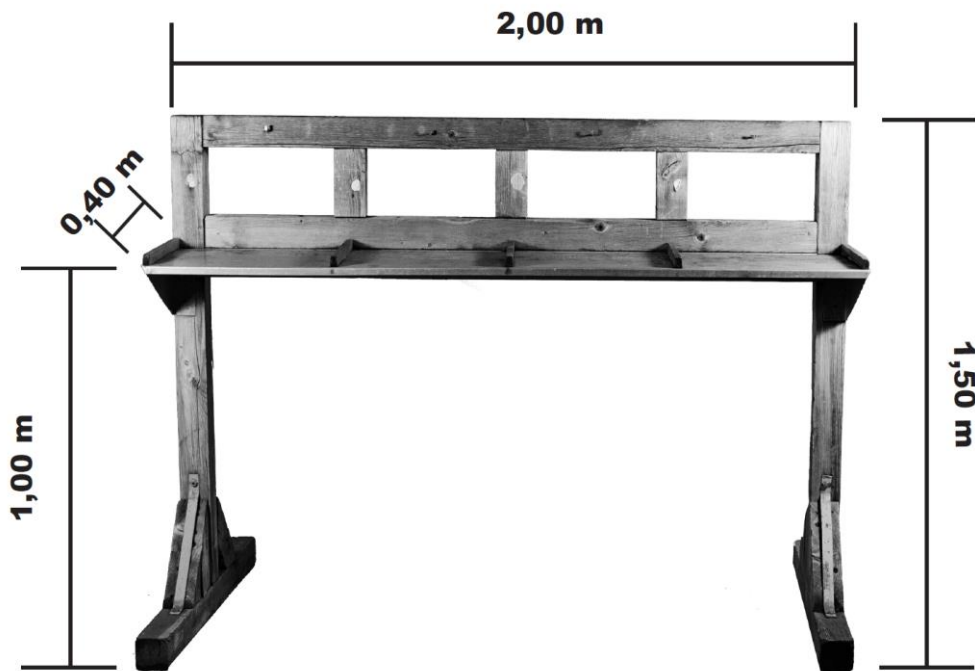
The target wall
with measuring device as well as optical and acoustic 5 litre display



The knot frame (dimensions in meters)

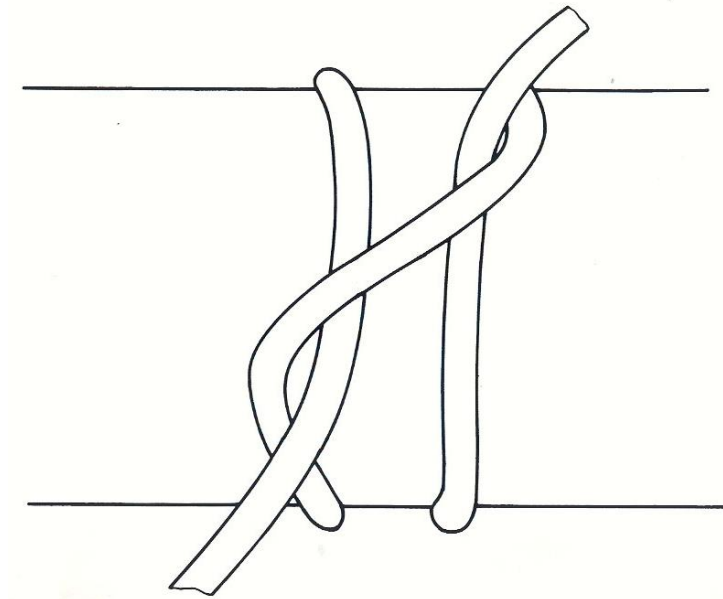


The equipment frame (dimensions in meters)

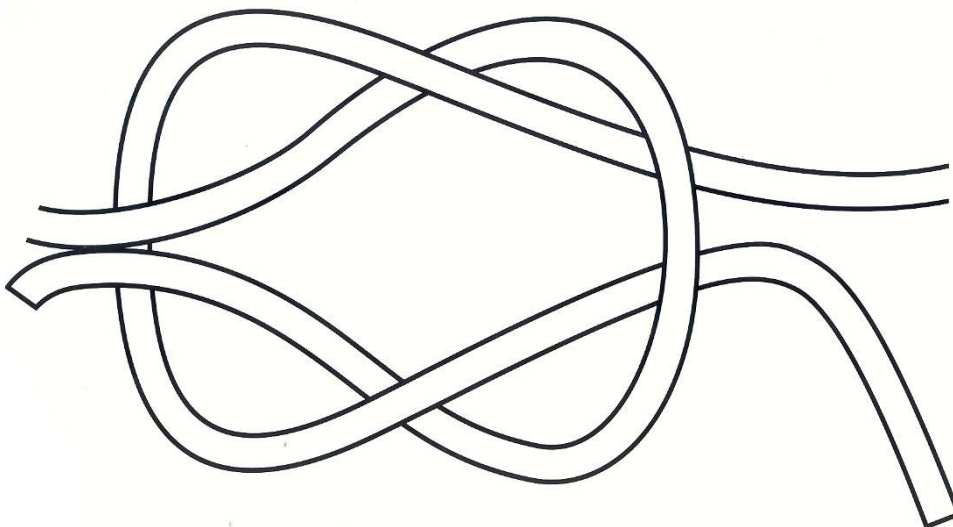


1.6 Sketches (images) of knots

Clove Hitch



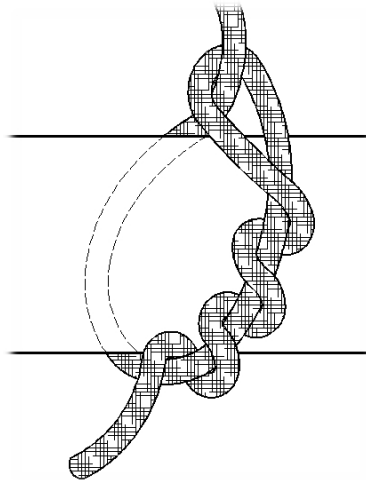
Reef Knot



Hose and Branch Knot (Hose Aloft Knot)



Timber Hitch (Must have at least 3 twists)



1.7 Competition equipment

- 1.7.1 The respective host country provides the obstacles listed under 1.4 to 1.6 and sets up the competition track (lanes) according to sketch 1.5.
- 1.7.2 The firefighting equipment required to carry out the fire brigade obstacle exercise is provided by the respective host country.
- 1.7.3 The fire brigade obstacle exercise must be carried out with the firefighting equipment of the respective host country.

1.8 Scoring

- 1.8.1 Each competition group receives 1,000 starting points. From these start points the finish time (in seconds) and any penalty points, will be deducted. In the obstacle competition each point deducted for a mistake equates to one second. In the case of electronic timekeeping, the finish time is recorded in hundredths of a second; and in tenths of a second when the hand is raised and stopwatches are used.
- 1.8.2 Penalty points
 - Mistake at the obstacle (10 penalty points)
If an obstacle in track section 1 is not passed by a competitor in accordance with the regulations, 10 penalty points will be awarded per instance.
 - Complete twisting of hose (5 penalty points)
If a C hose has a complete twist (more than 360°), 5 penalty points will be awarded. Each length of hose will be judged separately, however the maximum penalty will be one twist per length.
 - Open pair of couplings (20 penalty points)
An open coupling pair is adjudged when one pair of couplings is open after the fire brigade obstacle exercise.
 - Incorrect layout of C hose (10 penalty points)
 - Left or forgotten equipment (safety helmet and shoes count as equipment) as well as a hose strap (5 penalty points)
An abandoned or lost hose strap is adjudged if a hose strap is not in the strap box.
 - Wrong item placed incorrectly on the equipment frame (10 penalty points)
A competitor will be penalised if a piece of equipment is not placed in the space corresponding to their number and the picture.

- Incorrectly made knot (10 penalty points)
Wrongly made knots will be penalised if the knot does not correspond to the picture or is incorrectly made (for example at least 3 turns in the timber hitch).
- Incorrect working (10 penalty points)
Incorrect work will be adjudged if tasks are not performed by competitors as described in these regulations. Exceptions to this are errors that are subject to a different assessment.

If mistakes made by competitors – who are not intended for the job in question – are corrected, incorrect work will be assessed. However, if an open pair of couplings is coupled by applicants who are not intended for this job, the error "Open coupling pair" remains.

Premature or delayed hand signal of the group commander or premature triggering of the timekeeping (in the case of electronic timekeeping) at the end of the fire brigade obstacle exercise will be adjudged as incorrect work.

If, in the case of electronic timekeeping, the timing stop button is triggered by the group commander, no further activity of a competitor may be carried out after the time has stopped. If an activity is carried out by a competitor, this competitor will receive the penalty for "Incorrect work".

Premature pressing of the button by the group commander is adjudged as a "Incorrect work" penalty.

- This list of "Incorrect work" is not exhaustive
- Speaking while working (10 penalty points)
Speaking during the competition will be judged on each different competitor who speaks. Each judge will indicate each infringement. The head judge considers each mistake and enters them on the judging sheet.
- If a competitor leaves the competition track with both feet (lateral boundary), incorrect work will be adjudged. (10 penalty points)
- If numbers 2 and 3 and/or numbers 4 and 5 do not trigger either of the two signals on the target wall, then each number must be adjudged "Incorrect work" (10 penalty points each).
- Touching the "red spray bar" at the 63 m mark and touching the ground beyond this batten is prohibited before and/or during the spraying process. It is to be adjudged as "Incorrect work" (10 penalty points). However, it is allowed to touch the bar with the feet from the front.

2. Sports competition

2.1 400m relay race with obstacles

2.1.1 The length of the track for the relay race is 400.0 m and is divided into 9 track sections. The relay track is marked with a start and finish line. The width of the running lane must be at least 1.2 metres.

2.1.2 A non-shut-off C size branch serves as a baton.

2.1.3 Obstacle line-up:

1. Track section 1 - at the 20 m mark, a 2.0 m high and 1.2 m wide ladder wall with 4 rungs is sited. A non-shut-off C branch is located at the left front side of the ladder wall (in the direction of travel).

2. Track section 2 - is a pure running track without obstacles.



3. Track section 3 - at the 70 m mark, there is a double-rolled C hose in the middle of the lane, with couplings facing in the direction of travel, and equipped with a hose strap. 5.0 m away from the C hose in the direction of the travel there is an approx. 0.03 m high, solid wooden base of 0.8 m x 0.8 m for placing the hose upon in the middle of the lane.

4. Track section 4 - is a pure running track without obstacles.

5. Track section 5 - at the 175 m mark there is a slatted frame (similar to a high jump stand) on which a bar is placed at a height of 0.8 m. The width is 1.2 m.

6. Track section 6 - at the 225 m mark, a hurdle with a height of 0.6 m is set up (as in hurdles race).



7. Track section 7 - at the 275 m mark, an empty 6 kg hand-held fire extinguisher is set up. 5.0 m away from the fire extinguisher in the direction of travel, there is an approx. 0.03 m high, solid wooden base of 0.8 m x 0.8 m for placing the extinguisher upon in the middle of the lane.

8. Track section 8 - is a pure running track without obstacles.

9. Track section 9 - at the 380 m mark are two double-rolled C hoses without hose straps, with their couplings facing in the direction of travel (both couplings may touch the ground); to the right of the hoses is a dividing breaching C-B-C with the couplings facing in the direction of travel.

- 2.1.4 The relay race takes place in at least 2 lanes. All 9 members of a team must each overcome an obstacle and run one section of the course. Competitors in the relay race must be the same ones who take part in the fire-fighting obstacle race.

The team leader is responsible for allocating team positions.

Track markings by the group are permitted and must be removed after completing the relay race.

- 2.1.5 Positions for competitors:

Each competitor stands in his or her section of the track except for the Number 1, who stands in front of the starting line

Number 2 25 m mark

Number 3 50 m mark

Number 4 100 m mark

Number 5 150 m mark

Number 6 200 m mark

Number 7 250 m mark

Number 8 300 m mark

Number 9 350 m mark

The handover of the baton (branch) takes place at the respective transfer marks. In track sections 2, 4 and 8, the baton must be handed over in the first half of the section. This is 37.5 m in section 2, 125 m in section 4 and 325 m in section 8. In track section 9, the baton must be handed over within the first 15 m (up to 365 m).

If this is not complied with, Regulation 2.4.1 – Obstacles not crossed, or a task not completed in accordance with the rules, a 10 points penalty per case, will apply.

It is not a mistake if the competitor – in order to receive the baton as a seamless action – starts immediately before the handover.

The competitor who handed over the baton leaves the track in such a way that he/she does not hinder the competitor of the other lane. As soon as the baton is passed, the competitor clears the lane.

- 2.1.6. Runner Number 1 starts the race without the baton when the starting signal is given. The other runners take the baton on handover and can carry it in any way they wish, but not in the mouth, and each must tackle the obstacle with the baton (this does not apply to track section 1).

2.2 Clothing

The group must report in their customary work clothing. Shoes may be of any kind; however, cleats or spikes are prohibited. Protective gloves, helmets or firefighter belts are not worn. When wearing a helmet, it must be worn uniformly throughout the group.

2.3 Conduct of the event

2.3.1 The relay race is carried out in the following way:

1. Section 1: Competitor Number 1 starts to run when the starting signal is given. At the 20m mark he/she must cross the ladder wall.

On the ascent and descent of the climbing wall the hands must grip bars 3 and 4 from above. Gripping bars 3 and/or 4 from below only will be judged as a mistake as “not crossing the obstacle in accordance with the rules, or an incomplete task.” 10 penalty points will be awarded.

The feet must step on the 1st and 2nd bars. This applies to both the climb and the descent. He/she must pick up the branch (baton) at the left side after the wall (in the direction of travel) and pass it to Number 2 after running the remaining part of the section.

2. Section 2 - in the first half of the section before the 37.5 m mark, the baton must be passed from number 1 to number 2.
3. Section 3 - number 3 takes over the baton from number 2, picks up the double-rolled C hose at the 70 m mark and places it on the board 5.0 m away. The C hose, which is secured with a hose strap, does not have to be picked up by the hose strap and placed on the 0.8 m x 0.8 m board (standing or lying down) (the board can also be touched directly by the hose). The hose must not overlap the wooden board, the hose strap (metal and textile) must also not overlap the wooden board. Once this task has been completed, number 3 passes the baton to number 4 after the 100 m mark.
4. Track section 4 - In the first half of track section 4 before the 125 m mark, the branch (baton) has to be handed over from number 3 to number 4.
5. Track section 5 - : Number 5 takes the branch from Number 4 before the obstacle and must pass under the obstacle without knocking the bar down. If the bar falls, he/she may replace it on the supports and, carry out the exercise again. However, this must be done without leaving the competition lane.

6. Track section 6 - Number 6 takes the branch from Number 5 before the obstacle and must jump over the hurdle. If the hurdle is knocked over he/she may replace it and jump it again. However, this must be done without leaving the competition lane.
7. Track section 7 – Number 7 takes the baton from Number 6 and runs to the fire extinguisher, picks it up and places in on the board at the designated spot. If the fire extinguisher falls over – before the baton has been handed over from number 7 to number 8 – it is possible to replace it on the board.

However, if it is not replaced, 10 penalty points will be given for not tackling the obstacle in accordance with the rules, or an incomplete task. The fire extinguisher must be placed entirely on the wooden board. It is not a fault if the rubber hose of the fire extinguisher protrudes over the wooden panel.

No penalty points are given if the fire extinguisher falls over after the handover of the baton to number 8.

8. Track section 8 -
In the first half of track section 8 before the 325 m mark, the baton has to be handed over from number 7 to number 8.
9. Track section 9 - number 8 hands over the baton to number 9 before the 365 m mark.

After taking the branch, number 9 runs to the hoses, couples them together and connects a coupling to the dividing breeching and begins to run out the hose. The branch is coupled to the free end of the second hose.

The couplings must be connected by securing both lugs and not be broken again during the exercise. The competitor crosses the finishing line with the branch connected and places it on the ground.

The coupling between the branch and the hose must go over the finishing line. The branch must not be uncoupled.

If, after the start signal has been given and the heat is underway, the hoses should fall over or the couplings move of their own accord, number 9 may not leave their position at the 350m mark.

However, no penalty will be awarded.

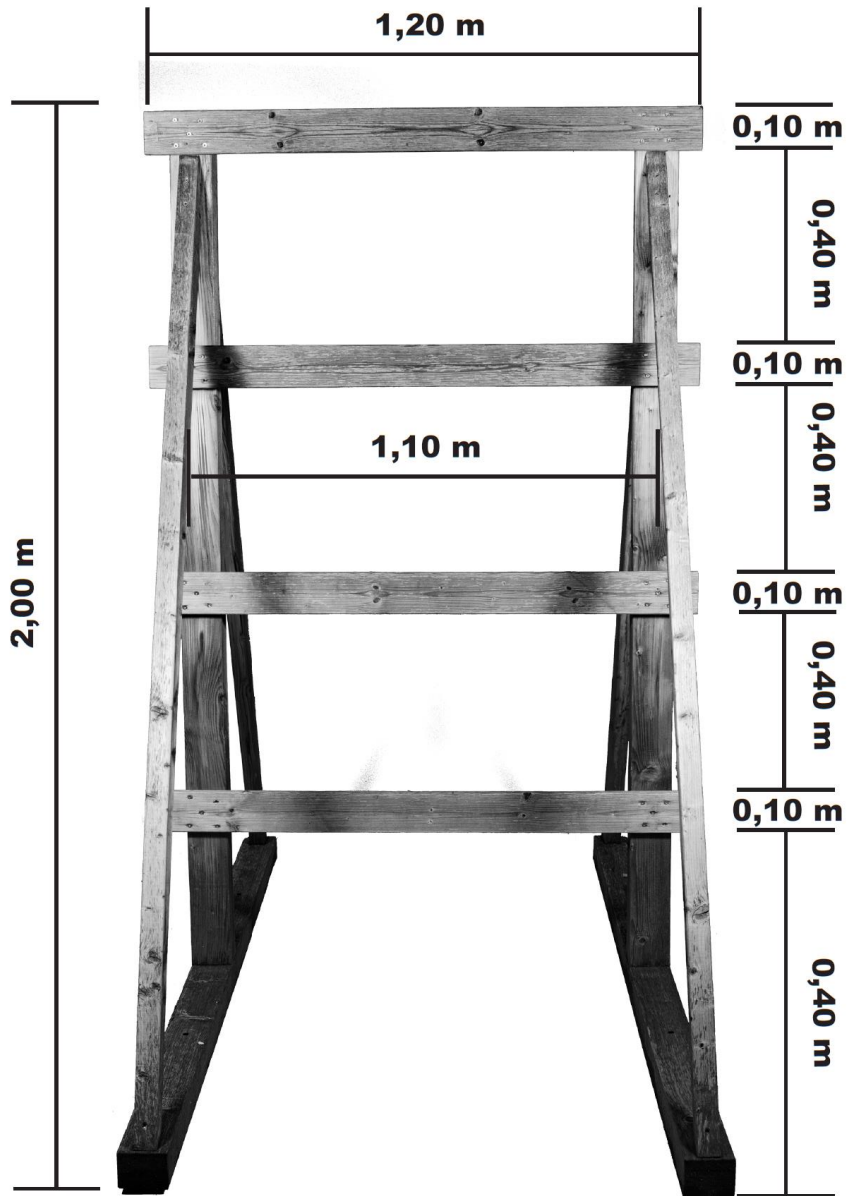
It is important to ensure that the branch is coupled before crossing the finish line (the branch must be securely coupled to the hose).

- 2.3.2 The branch must be passed from hand to hand. If a competitor does not cross an obstacle or complete a task in accordance with the rules he/she has the right to tackle the obstacle again but he/she need not return to the start of the section or the baton changeover point.

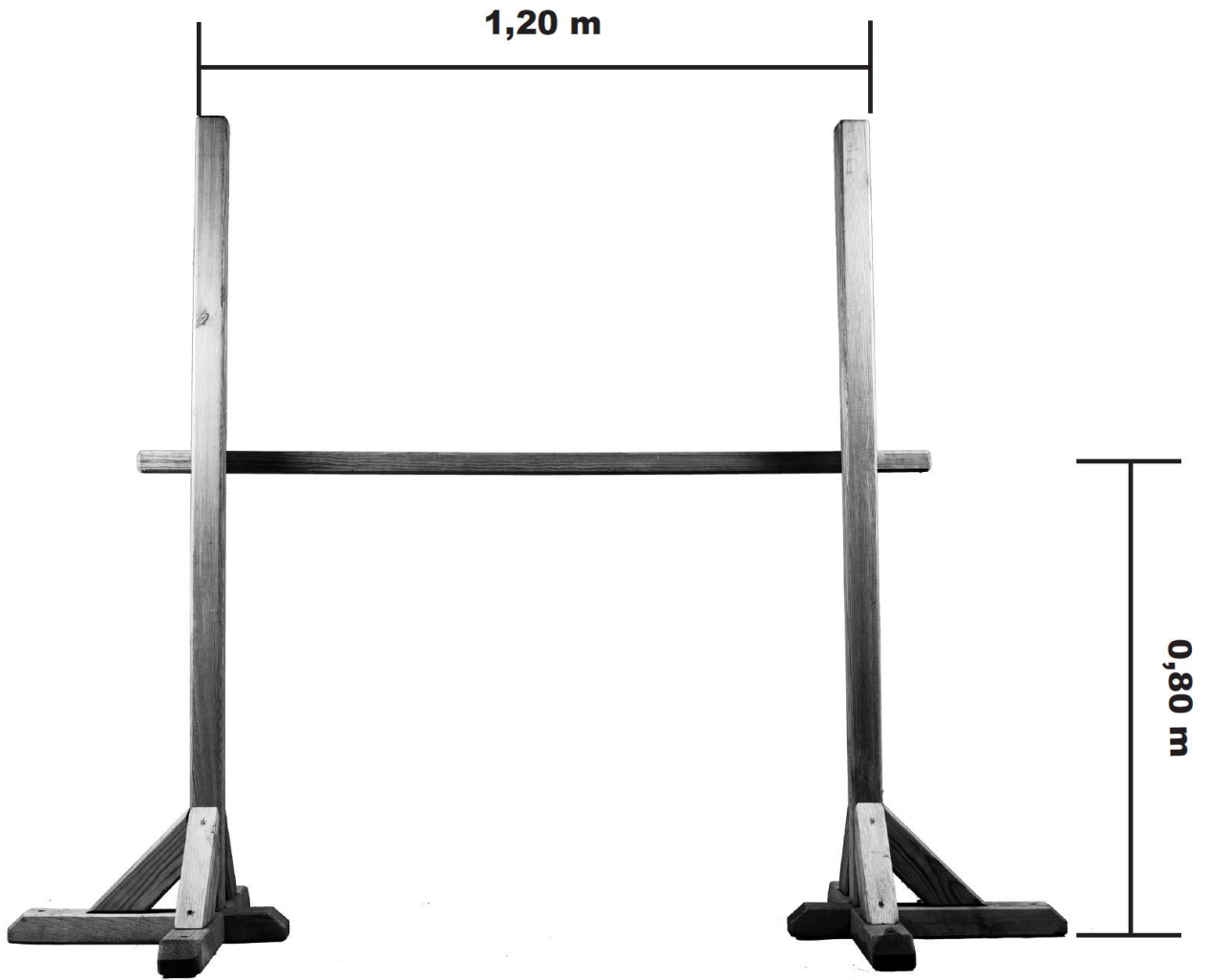
To clarify, if one of the group members has not properly overcome an obstacle, they can overcome the obstacle again, but they do not have to return to the the start of the section or handover point. However, he/she is not allowed to leave the competition lane when making a second attempt.

- 2.3.3 The discipline ends when the competitor of the 9th track section of the relay race has crossed the finish line.
- 2.3.4 Each competitor designated by the group commander to tackle an obstacle must cross the obstacle or complete a task in accordance with the rules before passing on the branch. The extinguisher and the hose may only be touched when the branch has been handed over.

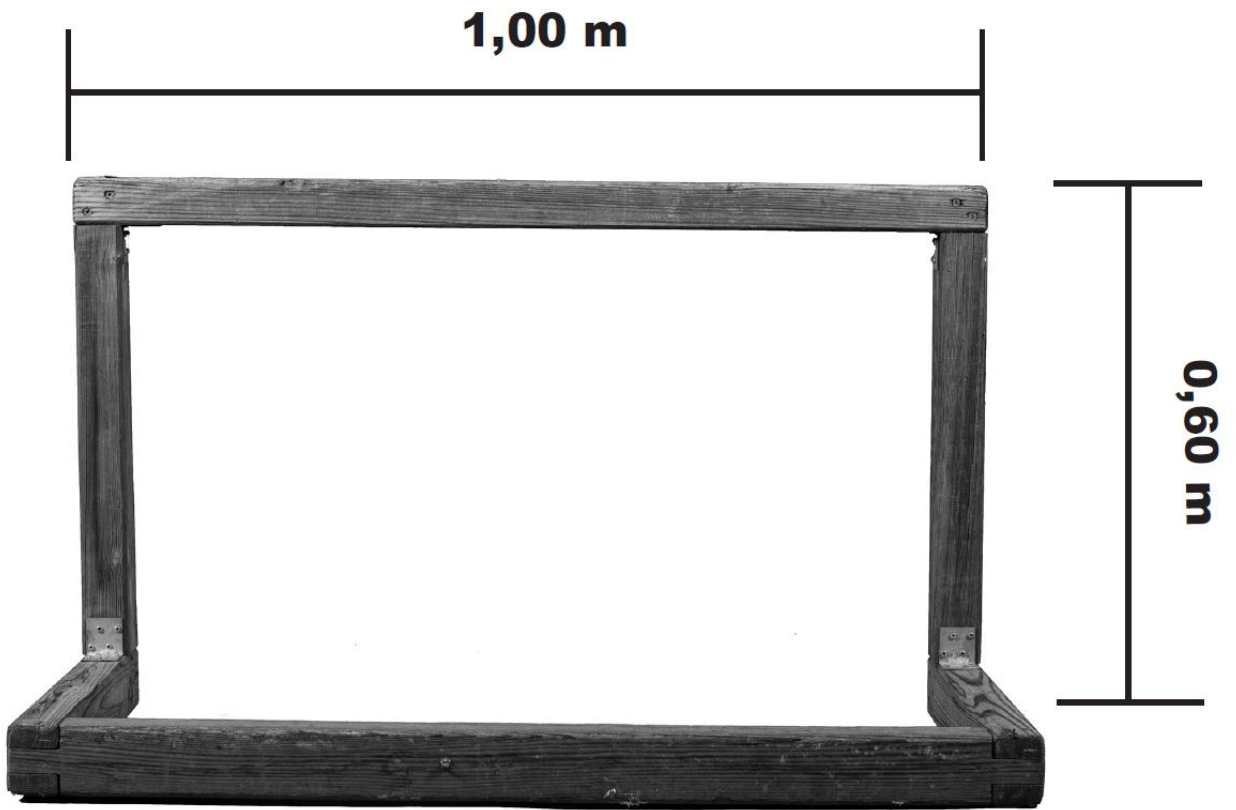
The ladder wall



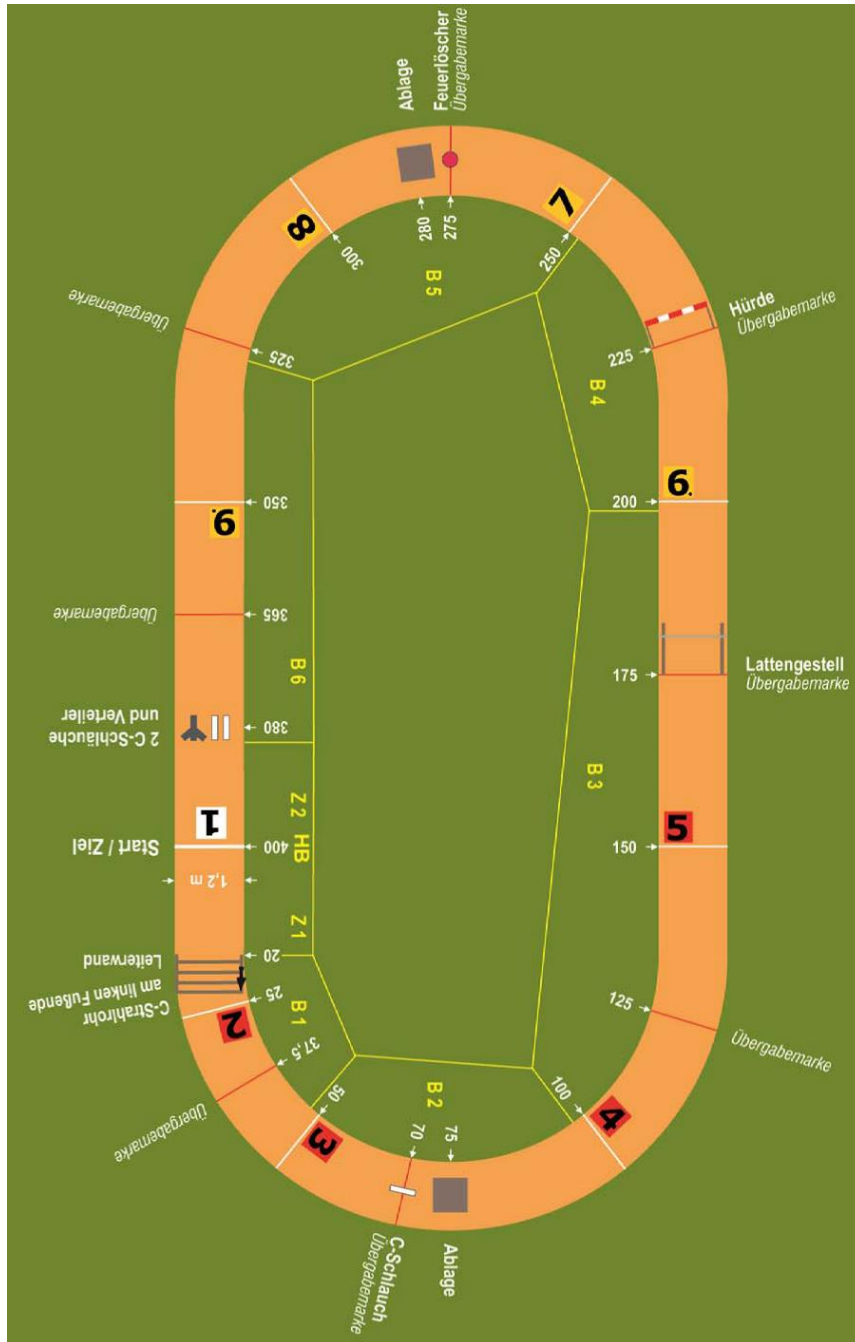
The slatted frame



The Hurdle



If the competitors run on an oval track, each competition lane may not be more than 400.0 m long. The transfer marks are to be marked at 37.5 m in section 2, 125.0 m in section 4, 325.0 m in section 8 and 365.0 m in section 9.



2.4 Scoring

- 2.4.1 Each competition group is given its target time according to its average age. For this time, the group receives 100 points.

Total Age	Average Age	Target time
up to - 103	11 years	83 sec
104 - 112	12 years	80 sec
113 - 121	13 years	77 sec
122 - 130	14 years	74 sec
131 - 139	15 years	71 sec
140 - 144	16 years	68 sec

Penalties:

Open pair of couplings; each case, 10 points. Irrespective of the number of open coupling pairs only one 10 point penalty will be awarded.

If the competitor does not attempt to make the couplings this will be classified as open couplings. Therefore 3 X 10 points = 30 penalty points are awarded.

Obstacles not crossed, or a task not completed in accordance with the rules, including the climbing wall - each case, 10 seconds.

For each second under the base time, measured at the finishing line, an extra point is awarded. For each second over the base time a point is deducted.

For each incorrect changeover a 10 point penalty will be awarded.

Failure to cross the finish line with the branch will incur a 20 point penalty.

If both feet cross outside the lane during the running of the relay, this will be judged in the same way as a failure to tackle an obstacle correctly or failure to complete a task and a penalty of 10 points is incurred.

If any mistakes are made during the running of the relay race the judges may not touch anything. Instead they are to call the runner over and point out the mistake at the completion of the event. The judges are not to give any instructions to competitors during the competition. The judges will not report any errors to the head judge until the number 9 has crossed the finish line.

Video recordings and photographs for the processing of appeals will not be accepted.

2.4.2 Disqualification of the competition group for the 400 m race will take place in the event of the following errors:

- A runner not completing a section .
- After three false starts.
- Final runner does not reach the finish line.
- Branch not passed from one runner to the next
- A runner leaving his/her lane and at the same time impeding another runner from another team
- Interference with competition equipment.

2.4.3 The time is measured from the starting signal for the first runner until the last runner crosses the finishing line. The time is measured in seconds and hundredths of a second.

C) CONDUCT and JUDGING of the COMPETITION

1. Registration and registration for the competition

1.1 Registration

After the arrival of the groups at the venue, the supervisors of the youth groups go to the competition management to register the groups. They will receive all the necessary documents there.

1.2 Registration for the competition

Half an hour before the start time specified in the competition schedule, the groups go to the calculation committee. They have to hand in their lists of participants with the final names of the participants and receive the envelope with the score sheet.

2. Judges

2.1 Fire brigade obstacle exercise

2.1.1 The competition will be conducted under the supervision of a head judge.

2.1.2 Requirements for judges and timekeepers:

- a) at the start and finish line: judge Number 1 supervises the water jump and hurdle, and also the laying out of the C hose in Section I. At the same time he/she is Timekeeper 1,
- b) judge Number 2 supervises the crawling tunnel and balancing beam in Section I, and also the laying out of the C hose; and the hose strap box. At the same time he/she is Timekeeper 2,
- c) judge Number 3 supervises Section II, in particular the correct use of both stirrup pumps which he/she checks are full and whether the group commander takes up the position at his/her observation point correctly and that he/she leaves it with competitors 2 and 3
- d) judge No. 4 supervises the equipment test in Section III and the assembly in Section IV,
- e) judge No. 5 supervises the knot test in Section III and the assembly in Section IV,
- f) each judge only judges within his or her track section, the head judge takes overall charge of timekeeping and supervises all the sections. He/she enters the times and penalties on the score sheet.

Scoring will be done in consultation with the other judges responsible for their sections and the group commander to avoid duplicating penalties. If a mistake is suspected with any equipment it is not to be touched by any judge. It will be shown to and explained to the group commander.

If electronic timekeeping is available, it will be started by the head judge or by a photoelectric beam – it will be stopped by operating a stop button at the end of the competition. The time is measured in seconds and tenths of a second when the time is kept manually, and in seconds and hundredths of a second when electronic timekeeping is used. This does not eliminate the need for timekeepers.

2.2 Sports competition

2.2.1 There is to be 1 head judge and 2 timekeepers as well as 1 judge per section (9 judges) per lane.

- a) the head judge is the track supervisor and starter
- b) there are 2 timekeepers per lane

2.2.2 For manual timekeeping, the official time for the event is the average time between the two stopwatches. Electronic timekeeping may be used but does not dispense with the need for timekeepers. Electronic time keeping will be taken in seconds and hundredths of a second.

2.2.3 Lane judges will be supplied with coloured flags (red or green for one lane each) to communicate with the head judge. The colour red or green indicates "clear lane before the start; or a mistake on the obstacle during the competition" for the respective section. The colour white always indicates "no faults".

D) FINAL RESULT AND YOUTH COMPETITION BADGE

1. Result

The points gained in the fire brigade obstacle exercise and the sporting part will be added together to give the final result. The final result is also the total number of points.

Example:

Default Points		Points
		1100
Fire brigade obstacle exercise		
Time	50 sec	-50
Penalty	2 x 10 points	-20
Relay		
Runtime (target 77 sec) Is: 75 sec	+2	
Penalty	10 points	-10
		1022

Scoring in the event of a tie

If two or more competition groups achieve the same number of points, the following criteria are to be used in the order listed until a ranking is achieved.

1. Fire brigade obstacle exercise without faults.
2. Fire brigade obstacle exercise without faults in a faster time.
3. Fire-fighting competition completed with least number of penalty points.
4. Faster time in the relay race.

If it is still not possible to rank the competition, a tie will be declared between the competition groups.

1.1. Disqualification

If a judge or member of the organization is treated improperly by a representative, judge or competitor of a nation, even outside the competition, the competition director (adjudicator) may, with the vote of the IJLK, disqualify all groups of that nation.

1.2. Objection

Objections to the scoring or penalties must be submitted immediately to the head judge of the lane by the head of the delegation, the interpreter and/or the trainer on the competition track.

The competition director (adjudicator) will decide on the objection in consultation with the responsible judges of the respective competition lane.

The decision of the competition management is final.

2. Youth Competition Badge

The International Youth Competition Badge will be issued to the participating groups during the final gathering if there is no disqualification.

E) FINAL PROVISIONS

These competition regulations were decided by the International Youth Leaders Commission of the CTIF at the meeting on 06.11.2023 in an online conference.

8th edition 2023

Assessment sheet for the International Youth Fire Brigade Competitions of the "CTIF"

Youth Fire Brigade Group:.....

National Fire Brigade Association (Nation):

ASSESSMENT:	Penalty	Default Points							1100
FIRE BRIGADE OBSTACLE EXERCISE		HB	B1	B2	B3	B4	B5	Pts.	
Mistake at the obstacle									
Twisting of a hose	5								
Open coupling pair	20								
Wrongly laid hose	10								
Equipment left on lane	5								
Mistake at equipment frame	10								
Incorrectly made knot	10								
Incorrect work	10								
Speaking while working	10								
Time:		Min.	Sec.						

.....

Main evaluator RATING: Reviewer1 Gruppenkdt

RELAY RACE Points 100

.....

Principal Evaluator Timekeeper

Total Age	Target time	Sec.	
Assessment	Actual time	Sec.	
Open couplings	10 per case		
Obstacle not crossed; task not completed per case	10		
Improper relay handover	per case	10	